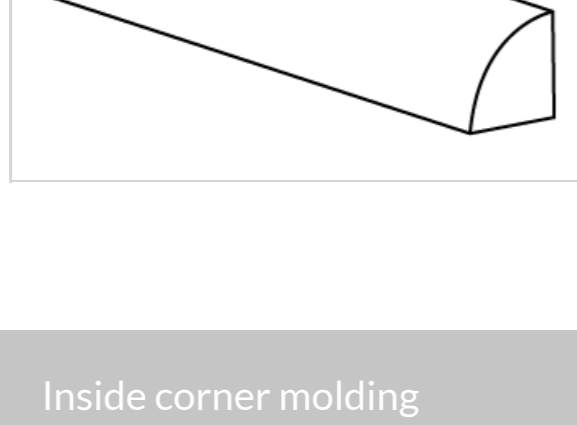




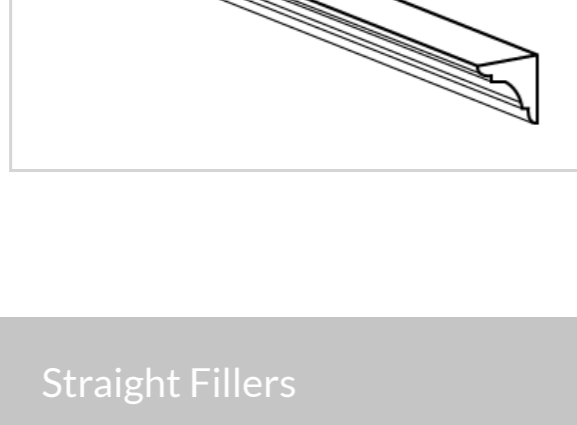
# LEGACY SUPPLY CONNECTIONS

## Quarter Round



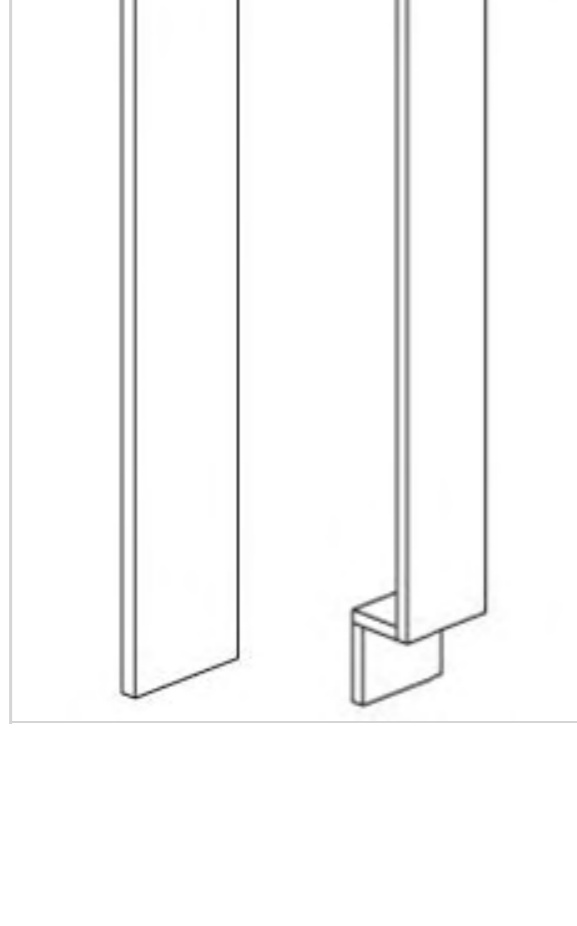
Model	Description	Assembled	Style
QR8	96"×3/4"×3/4"	-	Mercury Espresso

## Inside corner molding



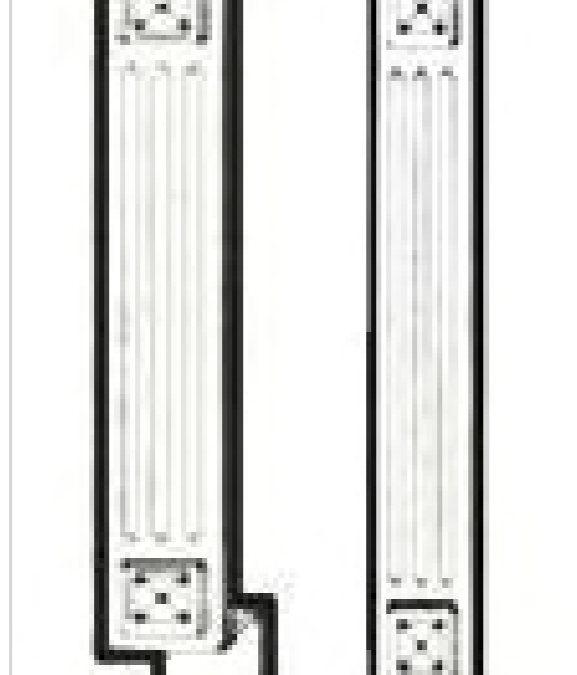
Model	Description	Assembled	Style
ICM8	96"×3/4"×3/4"	-	Mercury Espresso

## Straight Fillers



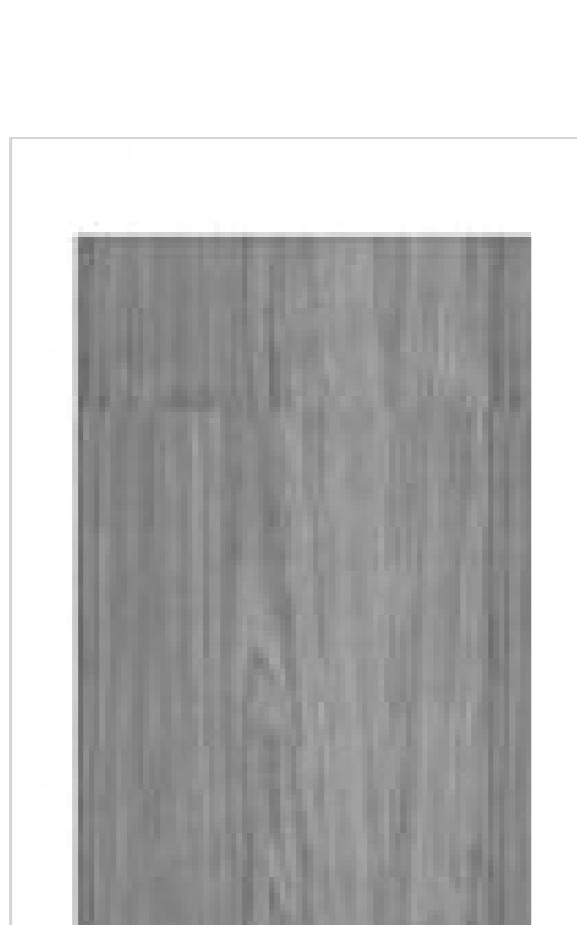
Model	Description	Assembled	Style
BF3	Base filler-3"W 34 1/2"T	-	Mercury Espresso
BF6	Base filler-6"W 34 1/2"T	-	Mercury Espresso
F396	Filler-3"W 96" T	-	Mercury Espresso
F696	Filler-6"W 96" T	-	Mercury Espresso
WF339	3"W×39"T	-	Mercury Espresso
WF330	Wall filler 3"W 30"T	-	Mercury Espresso
WF336	Wall filler 3"W 36"T	-	Mercury Espresso
WF342	Wall filler 3"W 42"T	-	Mercury Espresso

## Fluted Fillers



Model	Description	Assembled	Style
A30WF	Flutes Base Filler - 3"W 30"T	-	Mercury Espresso
A36WF	Flutes Base Filler - 3"W 36"T	-	Mercury Espresso
A42WF	Flutes Base Filler - 3"W 42"T	-	Mercury Espresso
A3BF	Flutes Base Filler - 3"W 34 1/2"T	-	Mercury Espresso

## Skin (s)



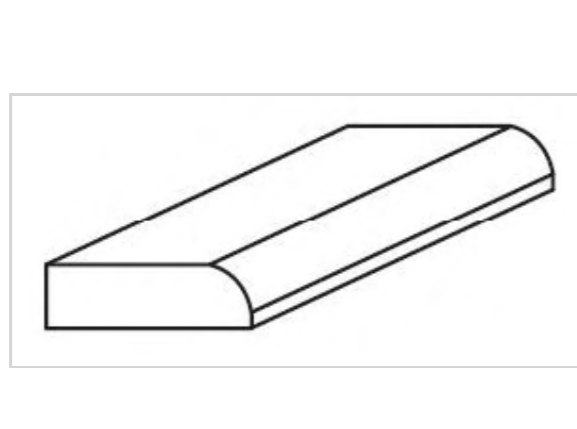
Model	Description	Assembled	Style
WSK1230	12" × 30"	-	Mercury Espresso
WSK1236	12" × 36"	-	Mercury Espresso
WSK1239	12"×39"	-	Mercury Espresso
WSK1242	12" × 42"	-	Mercury Espresso
BSK	24" × 34 1/2"	-	Mercury Espresso
TSK2496	24" × 96"	-	Mercury Espresso
BP4896	48" × 96"	-	Mercury Espresso
BP24*96-3/4	24" × 96" 3/4Thick	-	Mercury Espresso
DBP4896	48" × 96" ( Beadboard only available in MW-01, MG-02 and VI-05)	-	Mercury Espresso

## Large Crown Molding



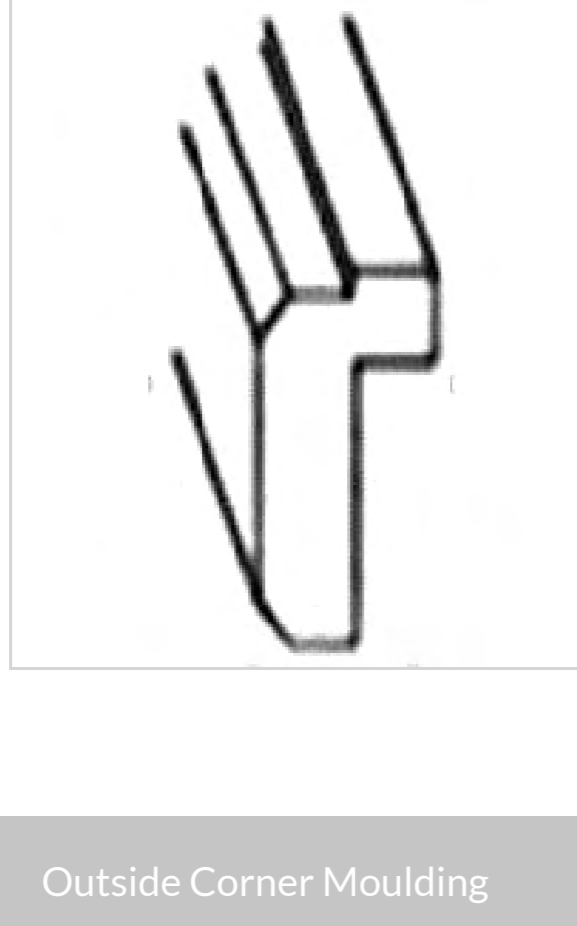
Model	Description	Assembled	Style
CM8 2-7/8"	2 7/8" T × 96" L	-	Mercury Espresso
CM8 4"	4" T × 96" L	-	Mercury Espresso

## Scribe Molding



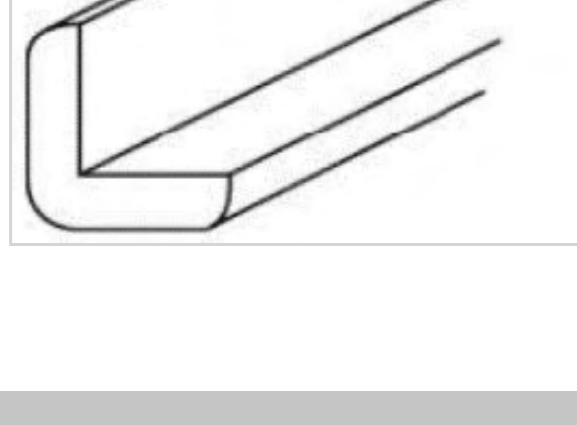
Model	Description	Assembled	Style
SM8	1/4" × 3/4" × 96"	-	Mercury Espresso

## Light Rail Molding



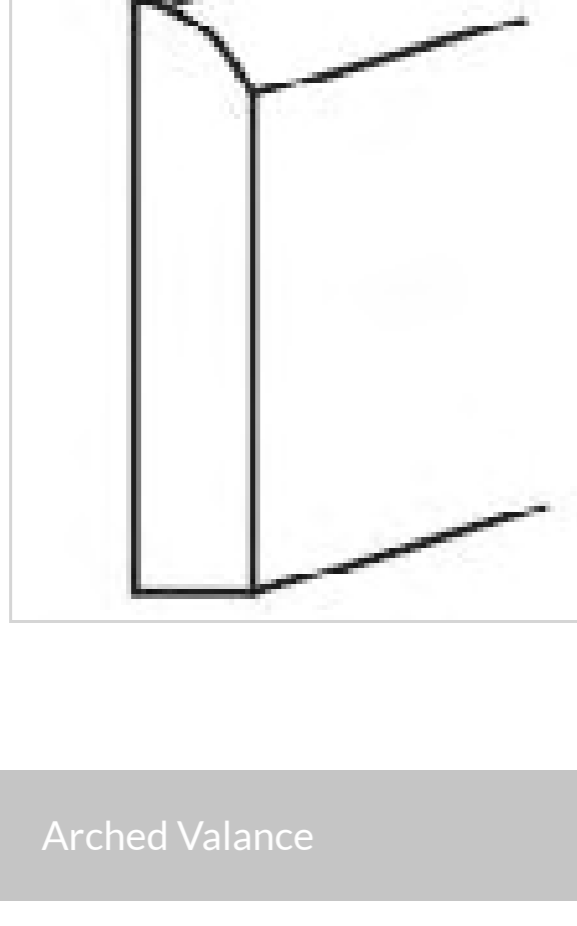
Model	Description	Assembled	Style
LRM8-SH	2 1/4" T × 96" L Shaker Style	-	Mercury Espresso
LRM8	2 1/4" T × 96" L Raised Panel Style	-	Mercury Espresso

## Outside Corner Moulding



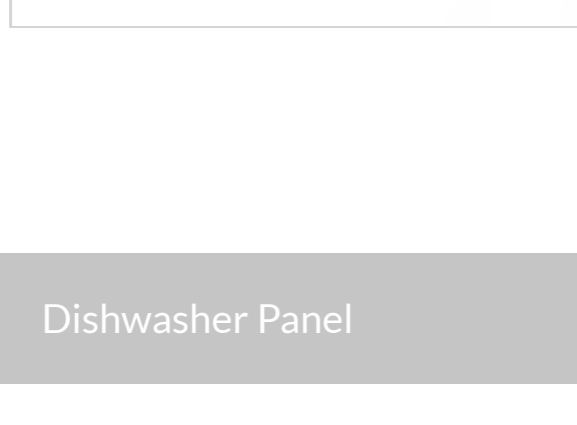
Model	Description	Assembled	Style
OC8	3/4" × 3/4" × 96"	-	Mercury Espresso

## Furniture



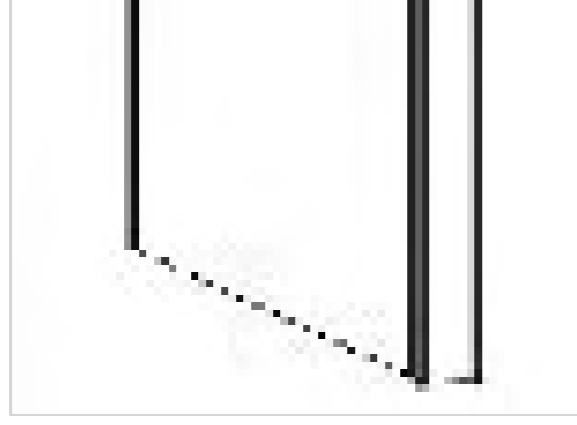
Model	Description	Assembled	Style
FBM8	3/4" × 4-1/2" × 96"	-	Mercury Espresso

## Arched Valance



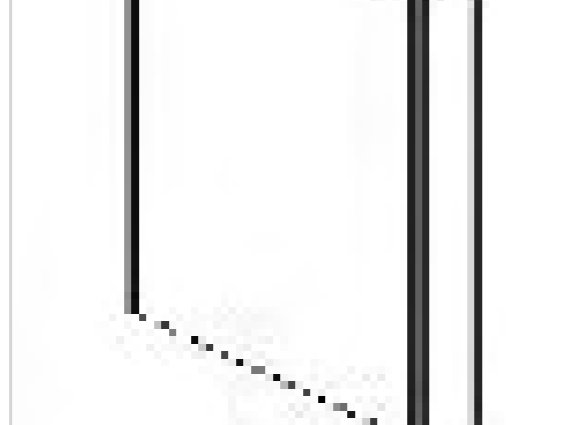
Model	Description	Assembled	Style
V37D	6" W 37" L	-	Mercury Espresso
V43D	10" W 43" L	-	Mercury Espresso

## Dishwasher Panel



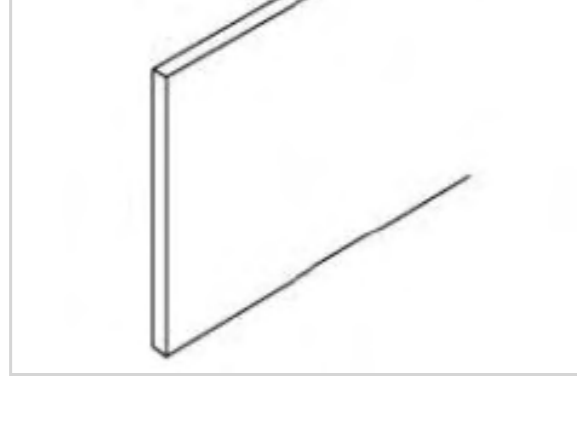
Model	Description	Assembled	Style
DWP	24"Depth 34 1/2" Tall 34" Filler 3" W	-	Mercury Espresso

## Refrigerator Panel



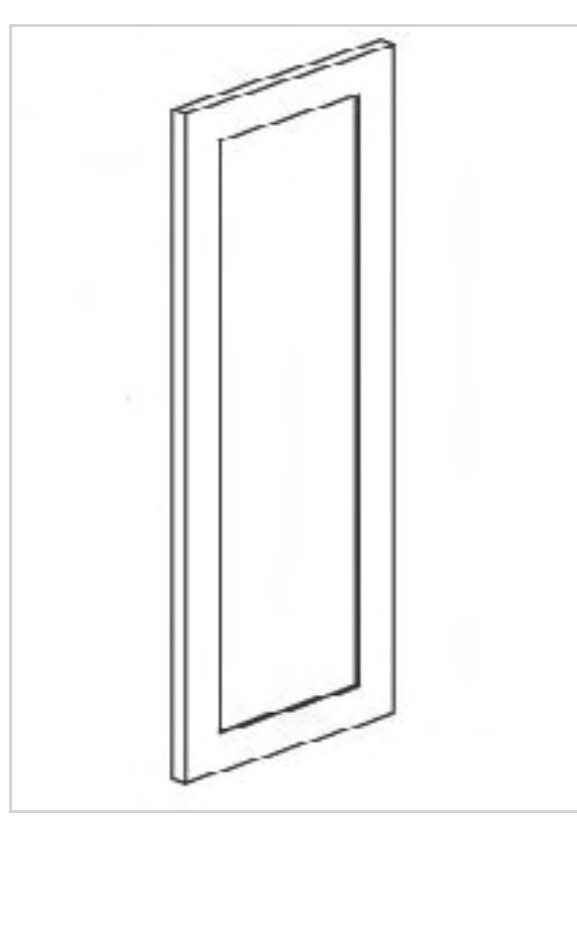
Model	Description	Assembled	Style
RP96	24"Width 96"Length 3/4" Filler 1.5" W	-	Mercury Espresso

## Toe Kick



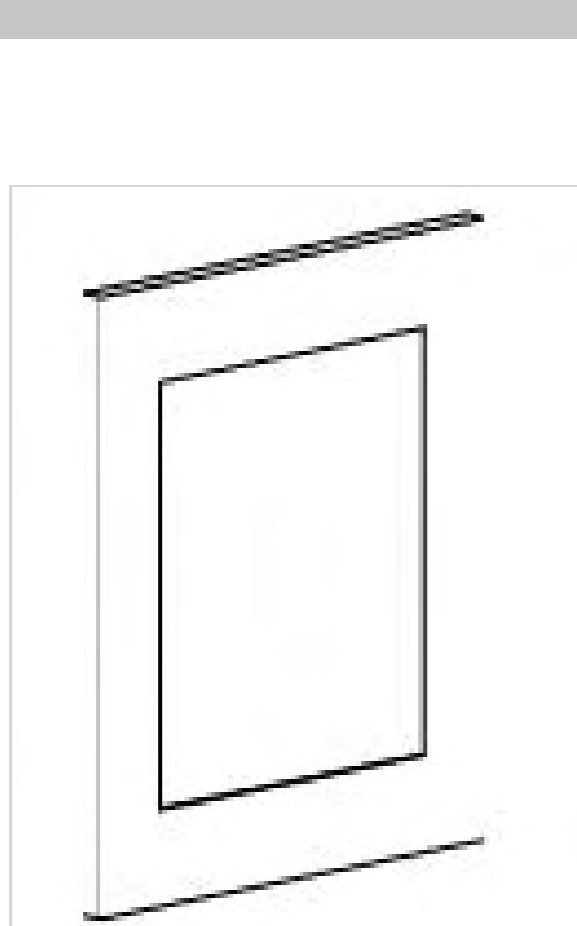
Model	Description	Assembled	Style
TK8	1/4" Thick 96" Long 4 1/2" Tall	-	Mercury Espresso

## End Panels (Faux Door)



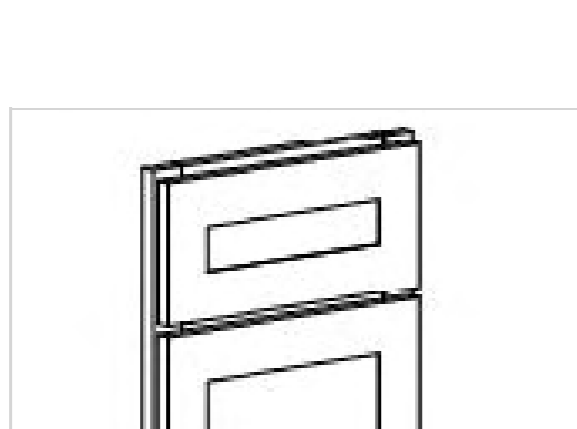
Model	Description	Assembled	Style
WEP1230	Used on 12"W 30"T cabinet side	-	Mercury Espresso
WEP1236	Used on 12"W 36"T cabinet side	-	Mercury Espresso
WEP1242	Used on 12"W 42"T cabinet side	-	Mercury Espresso
BEP2430	Used on 24"W 34 1/2" T cabinet side	-	Mercury Espresso

## Sample door 12" × 15"



Model	Description	Assembled	Style
Sample door 12" × 15"	Sample door 12" × 15"	-	Mercury Espresso

## B15 Front sample



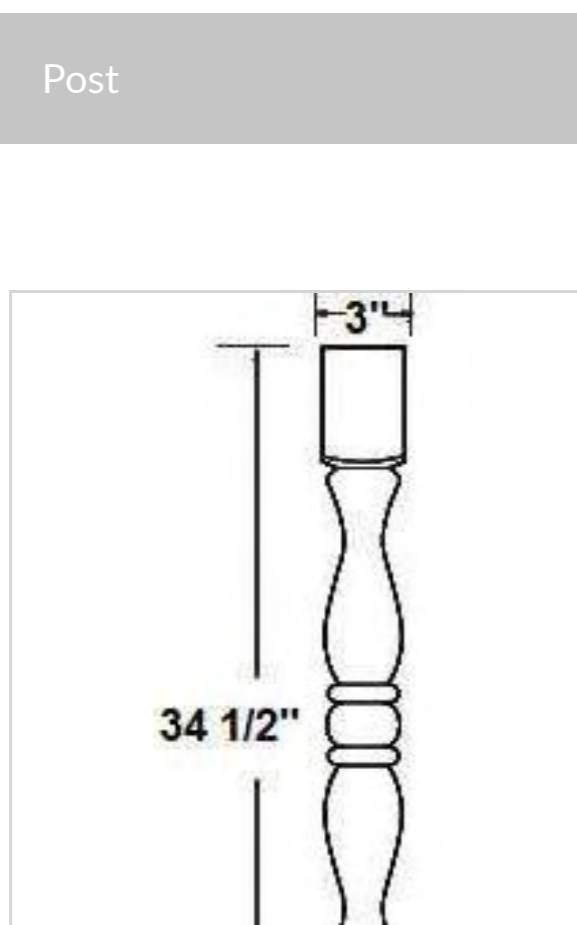
Model	Description	Assembled	Style
B15 Front sample	B15 Front sample	-	Mercury Espresso

## Corbel



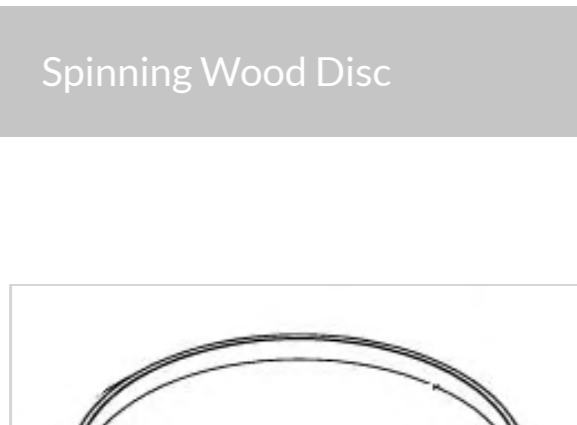
Model	Description	Assembled	Style
CBLT3	4 3/4" W 5" D 10 1/4" T	-	Mercury Espresso

## Post



Model	Description	Assembled	Style
TP3	3" W 34 1/2" T	-	Mercury Espresso

## Spinning Wood Disc

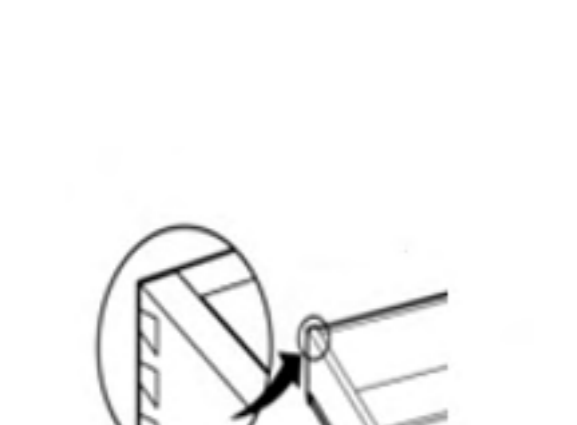


Model	Description	Assembled	Style
LS33KIT	Fits: LS33-Turntables sold separately	-	Mercury Espresso
LS36KIT	Fits: LS36-Turntables sold separately	-	Mercury Espresso

## OC 33" Cover Frame

Model	Description	Assembled	Style
OC33"	Cover Frame Fits: OC33"	-	Mercury Espresso

## Roll-Out Trays



Model	Description	Assembled	Style
ROT30"	Roll Out Tray 3" T × 21" D Solid wood mounting brackets, ball bearing slides and hardware	-	Mercury Espresso